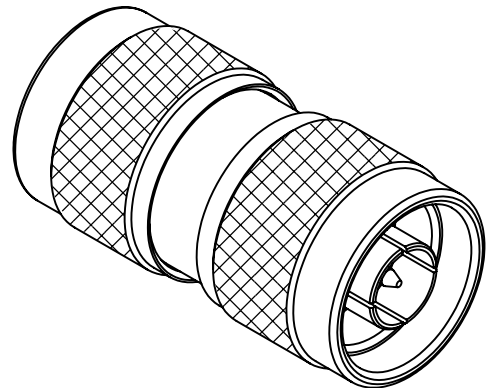
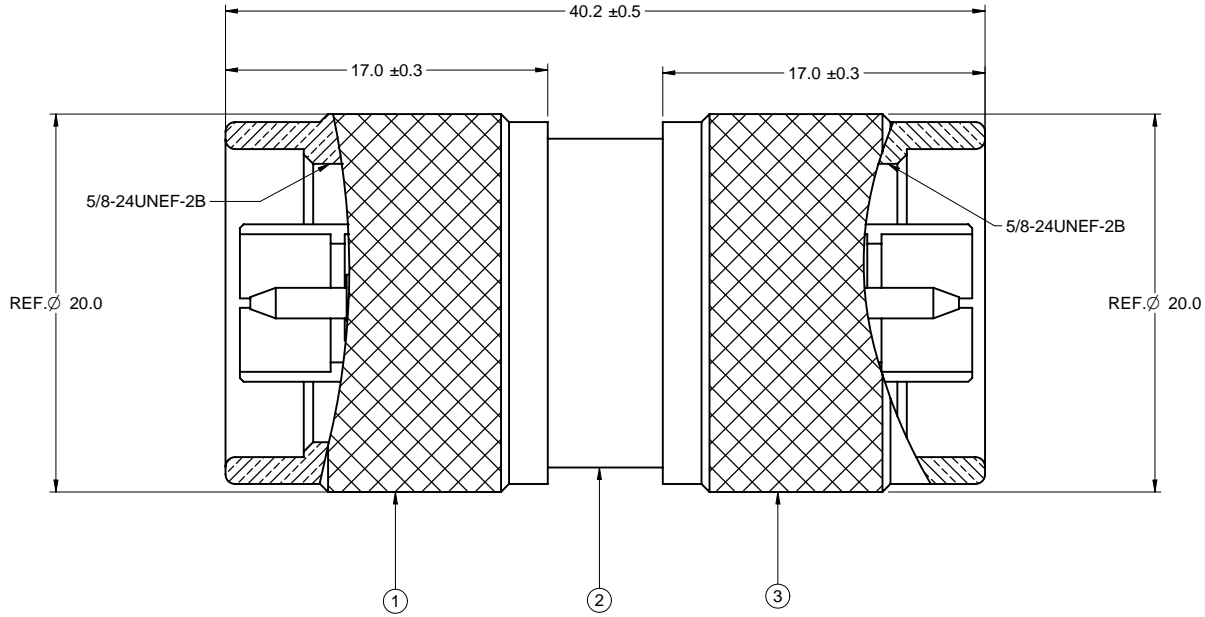


PART NUMBER	ITEM ① NUT	ITEM ② BODY	ITEM ③ NUT
26-8009	BRASS NICKEL PLATED	BRASS NICKEL PLATED	BRASS NICKEL PLATED

DRAWING NO. <b>26-8009</b>	
<b>REVISIONS</b>	
RELEASE FOR QUTATION	
A	02-20-06 W W T
ADD DIAMETER 17.4	
B	02-20-06 W W T
ADD 4&5 NOTES.	
C	12-18-06 L Y T



**NOTES:**

- ELECTRICAL SPECIFICATIONS**  
 IMPEDANCE: 50 OHMS  
 WORKING VOLTAGE: 500 VOLTS RMS AT SEA LEVEL  
 DIELECTRIC WITHSTANDING VOLTAGE: 1500 VOLTS RMS AT SEA LEVEL  
 INSULATION RESISTANCE: 5000 MEGOHMS MIN
- ENVIRONMENTAL SPECIFICATIONS**  
 TEMPERATURE RANGE: -55 °C TO +85 °C
- MECHANICAL CHARACTERISTICS:**  
 DURABILITY: 500 CYCLES
- PRODUCT SHOULD BE RoHS COMPLIANCE.**
- PACKAGING REQUIREMENT FOLLOWS ENGINEERING P/N 836-40200001XX**

THIS DRAWING TO BE INTERPRETED PER ANSI Y 14.5M - 1994

**COMPANY CONFIDENTIAL**

TOLERANCE UNLESS OTHERWISE SPECIFIED		DRAWN BY LINDA.WU	DATE 12-18-06
DECIMALS	mm	CHECKED BY BETTY.YU	DATE 12-18-06
X	+ 0.5	APPROVED BY THOMAS	DATE 12-18-06
X.X	+ 0.2		
X.XX	+ 0.1		
ANGLES	+ 0.5°	U/M	mm

<b>EMERSON</b> Network Power		<b>Connectivity Solutions</b>	
TITLE N MALE TO N MALE			
SHEET 1 OF 1	DRAWING NO. 26-8009	SIZE C	

THIS DRAWING WAS PRODUCED BY COMPUTER, DO NOT SCALE DRAWING OR UPDATE MANUALLY.

D  
C  
B  
A

D  
C  
B  
A